



KRA5143

Specific rear rack in anodised aluminium for MONOKEY® top-case, black

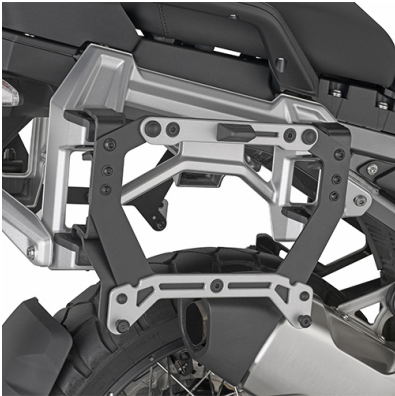
it can only be mounted on the aluminium rack with electromagnetic joint and floating plate for original top case / it does not allow the assembly of the stop light kit or the remote control device on the top-case



KRA5146

Specific rear rack, black, in anodised aluminium for MONOKEY® top-case

it can only be mounted on the original plastic rack / it does not allow the assembly of the stop light kit or the remote control device on the top-case



KL5146

Specific black painted steel and anodised aluminium adapter to be used with a pair of MONOKEY® side-cases on the original pannier holder, offered as an option by the manufacturer

it can only be mounted on the original pannier holder, offered as an option by the manufacturer

KLO5146MK

Specific pannier holder KL ONE-FIT for MONOKEY® side-cases configuration

18 mm diameter / to be combined with 07RKITK for the transformation into Rapid Release pannier holder



KLO5146CAM

Specific pannier holder KL ONE-FIT for MONOKEY® CAM-SIDE configuration

18 mm diameter / to be combined with 07RKITK for the transformation into Rapid Release pannier holder



KLOS5146CAM

Specific pannier holder KL ONE-FIT with contoured right side for K'VOYAGER MONOKEY® CAM-SIDE configuration

18 mm diameter / the right side is only compatible with the contoured shaped KVGS33 cases / to be combined with 07RKITK for the transformation into Rapid Release pannier holder

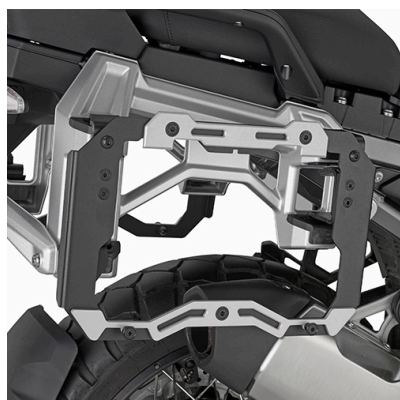
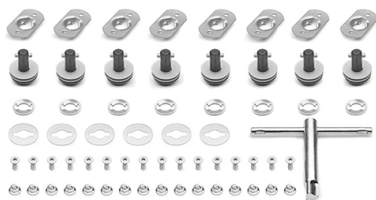


KLOS5146CAMO X Specific stainless steel pannier holder KL ONE-FIT with contoured right side for K'VOYAGER MONOKEY® CAM-SIDE configuration

Tubolare 18 mm di diametro / il lato destro è compatibile solo con le valigie KVG533 scantonate / da abbinare allo 07RKITK per trasformazione in portavaligie a rimozione rapida



07RKITK RAPID RELEASE kit that allows you to transform the side case holder into a quick-release frame



KL5146CAM Specific black painted steel and anodised aluminium adapter to use a pair of side-cases MONOKEY® CAM-SIDE Trekker Outback on the original pannier holder, offered as an option by the manufacturer

it can only be mounted on the original pannier holder, offered as an option by the manufacturer



BF84K Specific flange for fitting the tank bags with TANKLOCK system

In the presence of the TANKLOCK bag, the handlebar must be adjusted at an angle from the 10° line on the handlebar

KD5143ST **Specific screen, transparent 51 x 44,5 cm (h x l)**

compatible with versions equipped with Radar / to be mounted instead of the original screen

KD5143S Specific screen, smoked, 38,5 x 38,5 cm (H x W)

compatible with versions equipped with Radar / to be mounted instead of the original screen



KD5146ST Specific screen, transparent, 56 x 48 cm (H x W)

to be mounted instead of the original screen

KD5146S Specific screen, smoked, 46 x 48 cm (H x W)

to be mounted instead of the original screen



KHLP5146ST Front headlight protection transparent

thickness 4mm / not approved for road use

DF5146K

Pair of extended smoked handguard deflectors

to be mounted instead of the original deflectors



KNH5146

Specific engine guard, black

25 mm diameter steel tube / we recommend fitting by a qualified mechanic / it protects the upper part of the radiators / it can be mounted only with the original engine guard

KNH5146OX

Specific engine guard, stainless steel

25 mm diameter steel tube / we recommend fitting by a qualified mechanic / it protects the upper part of the radiators / it can be mounted only with the original engine guard



RP5143K

Oil carter protector in aluminium, black painted

thickness of 4 mm

KPR5143

Stainless steel specific radiator guard black painted